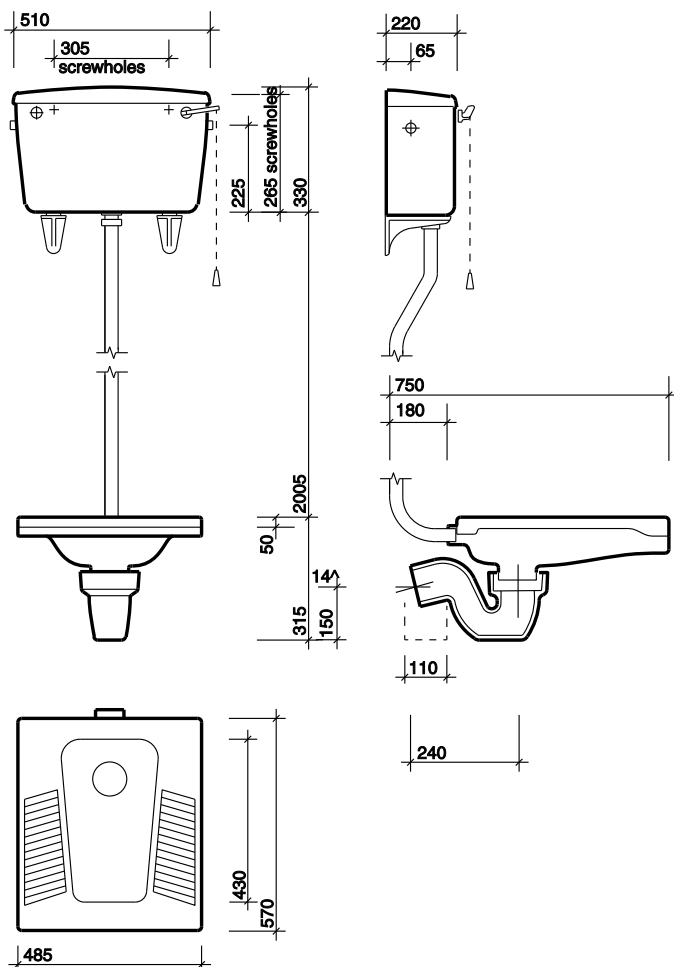


nile squatting pan



Nile squatting pan



All measurements shown are in millimetres. Drawing sizes are not to scale.

to specify/order:

Please use the eight character reference shown below.

- wc pan**
Squatting pan **WC3390WH**
P trap loose **VC4522WH**
- High level cistern and fittings, 6L: **CX7630WH**
SSIO
- cistern brackets**
Cistern brackets **SR1300XX**
- handspray**
Handspray with 1/2" tap and flexible hose **SF7270CP**
- inlet connector**
Inlet connector, rubber **CF4220XX**
- flushpipe**
Flushpipe and clip, plastic **CF6415WH**

applications

Commercial, Other.

material

Vitreous china

colours

White WH.

fixings

Pan must be fully supported. Cistern screwed to wall and supported on brackets.